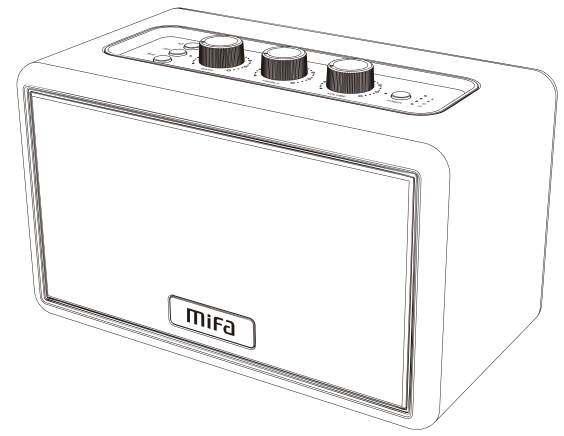


MiFa MIFA INNOVATIONS LLC
www.mifa-players.com Made in China

MiFa



M400 MUSIC PLAYER

USER MANUAL ▶

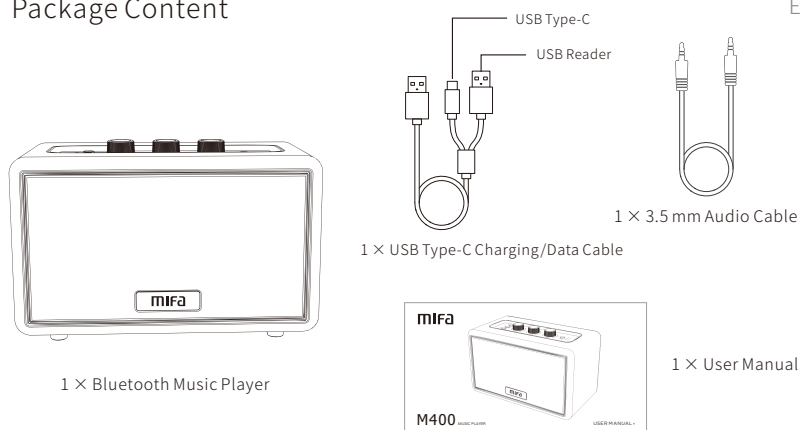
01 Precautions

English

- ◆ Please read the instructions first.
- ◆ Please follow the instructions carefully.
- ◆ Please store and use this product at room temperature.
- ◆ Do not use this product near heat sources such as radiators, heat registers, stoves, or other apparatus (including amplifiers) that produce heat.
- ◆ Do not block the opening of the music player, and do not insert objects into the vents or slots of the music player.
- ◆ Do not throw or drop the product to avoid damage.
- ◆ Please charge the music player with product rated voltage.
- ◆ If the connection line does not match your device, please contact the dealer.
- ◆ Please keep the volume of the music player moderate to avoid temporary or permanent hearing impairment.
- ◆ No matter how the equipment is damaged it must be repaired by a qualified technician. Unauthorized disassembly will void the warranty.
- ◆ Batteries should be replaced by qualified technicians in order to avoid dangers associated with improper replacement.
- ◆ Do not disassemble, puncture, compress or throw battery into fire. If swelling occurs, do not continue to use battery. Do not place battery in high temperature environments. Do not use after the battery is soaked in water.
- ◆ Batteries (battery packs) should not be exposed to conditions such as sunshine, fire or similar excessive heat conditions.
- ◆ If a power adapter is used to charge the unit, ensure to use a supporting power adapter that has obtained CCC certification and meets the standard requirements.

02 Package Content

English



03 Key Functions

English

Bluetooth: Press and hold the key for 2 seconds to enter Bluetooth pairing mode (two Bluetooth devices can be connected at the same time). Press and hold for 5 seconds to disconnect Bluetooth and clear the pairing list.

Mode Switch: Press to select different modes (Bluetooth-->TF Card-->U Disk-->AUX-in)

Note: Bluetooth mode is the default startup mode

Bluetooth: LED flashing, waiting for the Bluetooth pairing. LED solid when connected.

Aux-in indicator light

USB Flash indicator light

SD Card indicator light

Power Key: Long press 2s to turn on or turn off.

Reset: Long press 8s to reset.

Power Indicator Light: Red LED device is charging. Green LED device is fully charged.

Battery indicator: Red LED slow flash<10% 10%<=Red<20% 20%<=Orange<55% 55%<=Yellow<75% Green=>75%

Playback: Short press Play/Pause

Double Click: Previous song

Long Press: Next song

TWS: Tap the TWS key of the master music player to establish True Wireless Connection. The indicator will flash rapidly.

04 Ports Function

English

Data Transmission

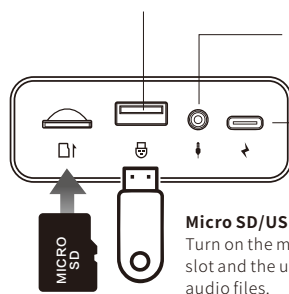
Audio and data files can be copied/read/written on to the Micro SD memory card when the music player is off and connected to a computer via the data cable in the box.

AUX-in

Turn on the music player and insert the audio cable in the AUX jack. After a prompt sound the unit will automatically switch to AUX mode.

Charging

Use a USB DC5V-3A (or higher) adapter to charge the device.



Micro SD/USB Drive Playback

Turn on the music player. Insert a Micro-SD card or USB flash drive into the slot and the unit will activate the playback source automatically playing the audio files.

05 Bluetooth Connection

English

1. Turn on the music player

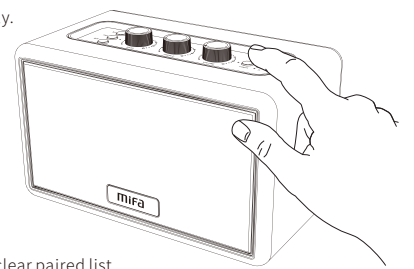
Press and hold the "M" key for 2 seconds to enter Bluetooth pairing mode. The Bluetooth LED indicator will flash rapidly.

2. Connect to a Bluetooth device

Go to the Bluetooth menu of the device and search for "Mifa_M400". The indicator light for the "M" key will stay on once connected followed by a prompt tone.

Other:

- 01- Long press for 5 seconds to disconnect Bluetooth and clear paired list.
- 02- The Mifa M400 supports connecting two units at the same time.



06 TWS (True Wireless Stereo) Function

English

1. Initiating the master TWS connection:

Select one of the M400 units to start and select Bluetooth mode. Press the TWS key. When you hear the prompt tone, the unit will enter TWS mode and start to search for the slave music player.

2. Connecting the slave music player:

Power on the second M400 unit and select Bluetooth mode. Press and hold the "M" key for 2 seconds and wait for the master M400 unit to connect.

3. TWS connected successfully

When the master and slave units are successfully connected and a TWS setup is created, the TWS key indicator on the master M400 will flash slowly, while the TWS key indicator on the slave M400 will stay on.

4. Disconnect TWS

After a successful connection, if you want to exit the TWS mode, just short press the TWS key.

Other notes:

- 01- The Master unit will be the left channel and the slave unit will be the right channel.
- 02- The true wireless stereo function (TWS) supports only two M400 music players.
- 03- In TWS mode, except for volume, treble and bass controls, other functions can be operated by either device.



Master Music Player

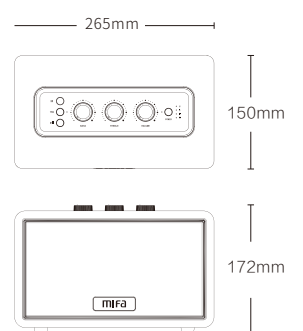


Slave Music Player

07 Specifications

English

Basic parameters	
Type	Music Player
Storage Type	Micro SD card & USB flash drive up to 32GB supports FAT32 only.
Power Supply	DC 5V-3A adapter. Charging time 4hours.
Technical parameters	
Drivers	4-inch bass + 66 mm dome tweeter speaker + air duct design
Frequency Response	55-20KHz
Bluetooth Version	Bluetooth 5.3
USB	USB2.0, compatible with USB1.1
Playback Formats on Micro SD Card	MP3/WMA/WAV/APE/FLAC
Bit Rates	MP3: Kbps-320Kbps WMA: 32Kbps-384Kbps WAV: 32Kbps-1414Kbps



Product size: 265x150x172mm

Product weight: 3.07kg (Including built-in Li-ion battery)